



# OPERATOR'S MANUAL

## ELECTRIC PRESSURE WASHER

This product is covered by U.S. patents and other international patents

Copyright. All Rights Reserved.

Model PW15003



### FEATURES

Max. Pressure . . . . .	1500 PSI	- Auto stop function
Rated Pressure . . . . .	1050 PSI	- UL plug with GFCI
Inlet Pressure Range . . . . .	40 PSI – 70 PSI	- 1.3 GPM
Supply Power . . . . .	110-120 V/60 Hz	- 35 ft. Electric Cord Length
Rated Amperage . . . . .	.10 Amp	- Plastic Spray Gun
Weight . . . . .	14.13 lbs.	- Soap Bottle
Hose Length . . . . .	20 ft.	

Maximum Pressure Ratings determined in accordance with PWMA. Standard PW101

Your pressure washer has been engineered and manufactured to our high standard for dependability, ease of operation, and operator safety. Properly cared for, it will give you years of rugged, trouble-free performance.



**WARNING:** To reduce the risk of injury, the user must read and understand the operator's manual before using this product.

Thank you for your purchase.

DO NOT RETURN THIS PRODUCT TO THE STORE. OPERATING, ASSEMBLY, PARTS, SERVICE QUESTIONS? CALL 1-800-313-5111 BETWEEN 7:30 AM—4:30 pm EST FOR ASSISTANCE.

**SAVE THIS MANUAL FOR FUTURE REFERENCE**



# IMPORTANT SAFETY WARNINGS



## TO REDUCE RISK OF INJURY:

Before any use, be sure everyone using this product reads and understands all safety instructions and other information contained in this manual.

Read and save these instructions and review frequently prior to use and in instructing others.



**CAUTION:** Wear appropriate personal hearing protection during use. Under some conditions and duration of use, noise from this product may contribute to hearing loss.



**WARNING:** When using electric gardening appliances, basic safety precautions should always be followed to reduce risk of fire, electric shock, and/or personal injury.

**READ ALL INSTRUCTIONS**



**WARNING:** Some dust and debris created by the use of this tool could contain chemicals known to the State of California to cause cancer and birth defects or other reproductive harm. Some examples of these chemicals are:

- Chemicals in fertilizers
- Compound in insecticides, herbicides and pesticides
- Arsenic and chromium from chemically treated lumber.

Your risk from exposure to these chemicals varies depending on how often you do this type of work. To reduce your exposure, work in a well-ventilated area and with approved safety equipment such as dust masks that are specially designed to filter out microscopic particles.



**California Proposition 65 Warning:** This product contains chemicals known to the State of California to cause cancer, birth defects or other reproductive harm.

## GENERAL SAFETY

DOUBLE INSULATION is a concept in safety in electric power tools which eliminates the need for the usual three-wire grounded power cord. All exposed metal parts are isolated from the internal metal motor components with protecting insulation. Double insulated tools do not need to be grounded.



**WARNING:** The double insulated system is intended to protect the user from shock resulting from a break in the tool's internal insulation. Observe all normal safety precautions to avoid electrical shock.

NOTE: Servicing of a product with double insulation requires extreme care and knowledge of the system and should be performed only by a qualified service technician. Always use original factory replacement parts when servicing. Call our customer service help line at 1-800-313-5111 for assistance.

AVOID DANGEROUS ENVIRONMENTS – Don't use this product in rainy, stormy, damp or wet locations. Do not operate in gaseous or explosive atmospheres. Motors in these products normally spark, and the sparks might ignite fumes.

KEEP CHILDREN AWAY - All visitors, children and pets should stay at a safe distance from the work area.

DRESS PROPERLY – Don't wear loose clothing or jewelry and wear protective hair covering to contain long hair. They can be caught in moving parts. Use of rubber gloves and substantial footwear is recommended when working outdoors.

USE SAFETY GLASSES –Wear safety glasses with side shields or goggles that are marked to comply with ANSI Z87.1 standard when operating this product. Use face or dust mask if operation is dusty.

GROUND FAULT CIRCUIT INTERRUPTER (GFCI) protection should be provided on the circuit (s) or outlet (s) to be used for this product if you are using an extension cord. The product's cord has a built in GFCI. Receptacles are available having built-in GFCI protection and may be used.

USE RIGHT APPLIANCE – Do not use this product for any job except that for which it is intended.

EXTENSION CORD. Make sure your extension cord is in good condition. Use only extension cords having an electrical rating not less than the rating of this product. An undersized extension cord will cause a drop in line voltage resulting in loss of power and overheating.

Cable Length	Wire Gauge
Up to 25 ft.	12 AWG

It is possible to tie the extension cord and power cord in a knot to prevent them from becoming disconnected during use. Make the knot as shown, then connect the plug end of the power cord into the receptacle end of the extension cord. This method can also be used to tie two extension cords together.



**WARNING:** Use outdoor extension cords marked SW-A, SOW-A, STW-A, STOW-A, SJW-A, SJTW-A, or SJTOWA. These cords are rated for outdoor use and reduce the risk of electric shock.

DISCONNECT UNIT from the power supply when not in use or when servicing or cleaning. Do not leave unattended.

To avoid the risk of electric shock, the water spray must never be directed towards any electrical outlets or wiring or directly towards the pressure washer equipment itself.

Know how to stop the equipment and bleed pressures quickly. Be thoroughly familiar with the controls.

Never tie knots or kink the high pressure hose as damage could result.



**CAUTION:** Use clean water and neutral detergent only. Do not use acids or solvents as they may cause injuries to the operator and irreversible damage to the equipment.

To allow free air circulation, the pressure washer should NOT be covered during operation.

DON'T ABUSE CORD – Never carry this product by the cord or yank the cord to disconnect from the receptacle. Keep cord from heat, oil, and sharp edges.

AVOID UNINTENTIONAL STARTING – Don't carry the pressure washer plugged in with your finger on the switch. Be sure the switch is off when plugging in.



**DANGER:** Keep hands away from nozzle or water spray. Always use both hands when operating pressure washer to maintain complete control of the wand.

Never direct the water spray directly toward yourself or others in order to clean clothes, foot-wear or for any other reason.

STAY ALERT – Watch what you are doing. Use common sense. Do not operate the pressure washer when you are tired or under the influence of drugs or medication.

STORE IDLE UNIT INDOORS – When not in use, the product should be stored indoors in a dry and high or locked-up place, out of children's reach.

MAINTAIN UNIT WITH CARE – Keep clean for best performance and to reduce the risk of injury. Inspect extension cord periodically and replace if damaged. Keep handles dry, clean and free from oil and grease.

CHECK FOR DAMAGED PARTS – Before further use of the product, any part that is damaged should be carefully checked to determine that it will operate properly and perform its intended function. Check for alignment of moving parts, binding of moving parts, breakage of parts, mounting and any other condition that may affect its operation. Any part that is damaged should be properly repaired or replaced. Call our customer service help line at 1-800-313-5111 for assistance.

LIGHTING - Only operate your pressure washer in daylight or good artificial light.

DON'T OVERREACH – Keep proper footing and balance at all times.



**POLARIZED PLUGS** – To reduce the risk of electric shock, this product has a polarized plug (one blade is wider than the other). This product must be used with a suitable polarized 3-wire extension cord. Polarized connections will fit together only one way. Make sure that the receptacle end of the extension cord has large and small blade slot widths. If the plug does not fit fully into the extension cord, reverse the plug. If it still does not fit, obtain a suitable extension cord. If the extension cord does not fit fully into the outlet, contact a qualified electrician to install the proper outlet. Do not change the tool plug or extension cord in any way.

The pressure washer must be in an upright position when in use.

Do not touch the plug or outlet with wet hands.

Disconnect from the electrical supply prior to detaching the high pressure hose.

Do not operate or store this product in temperatures below freezing. Freeze damage is not covered by the warranty.

# OPERATING

This pressure washer is equipped with a stop device which will sense when the trigger of the gun is released causing the pressure washer to stop.



**WARNING:** If the pressure washer fails to stop when the trigger of the gun is released, disconnect from the power source. **DO NOT USE THE PRESSURE WASHER.** Call our customer service help line at 1-800-313-5111 for assistance.

This pressure washer is also equipped with a thermal safety switch that will automatically shut off the motor in the event the motor overheats. Should that occur, after the motor has cooled down, reset the switch and you can resume normal operation again..



**WARNING:** To reduce the risk of electrocution, keep all connections dry and off the ground. Do not touch plug with wet hands.



**WARNING:** Test GFCI before each use. **DO NOT** use pressure washer if following test fails.

GFCI Test Procedures:

- Plug GFCI into power receptacle. Indicator light should be illuminated.
- Press Test button. Light should turn off.
- Press Reset button for use. Indicator light should be illuminated.

**DO NOT USE** if above test fails and call our customer service help line at 1-800-313-5111 for assistance.

**NOTE:** The GFCI must be reset each time the pressure washer is connected to an electrical outlet. Reset by simply pushing the reset button on the GFCI power plug.

If an extension cord is used, the plug and socket must remain away from all water and moisture.



**WARNING:** Risk of shock. Do not touch the plug or outlet with wet hands.

The narrow pinpoint stream is very powerful. It is not recommended for use on painted surfaces, wood surfaces or items attached with an adhesive backing.

The optimum angle for spraying water against a cleaning surface is 45 degrees.

To minimize the amount of water getting into the pressure washer, the unit should be placed as far as possible from the cleaning site during operation.

## WINTERIZING AND LONG-TERM STORAGE

- Run the pressure washer in low pressure until all of the soap is drained from the detergent tank.
- Pour clear water into the tank and run it through on low pressure as though it were detergent.
- Disconnect all water connections.
- Turn on the machine for a few seconds to expel any water remaining in the pump and turn off immediately.
- Do not allow the high pressure hose to become kinked.
- Store the equipment and accessories in an area where they will not freeze.

Do not store near a furnace or other source of heat as it may dry out the pump seals.

## QUICK START GUIDE

- \* Carefully remove the pressure washer and all accessories from the carton.
- \* Inspect for damage and verify no parts are missing.

### PARTS LIST:

Pressure Washer  
Operator's Manual  
Nozzle Cleaning Pin  
Hang Hooks (2)  
Gun Handle  
Spray Lance  
High Pressure Hose Assembly  
Soap Bottle

**NOTE:** Any part that is damaged should be properly repaired or replaced. Call our customer service help line at 1-800-313-5111 for assistance.

- \* Install hang hooks.
- \* Connect high pressure hose to gun handle.
- \* Connect a garden hose to the water faucet. (The garden hose is not included.) **NOTE:** Do not turn on the water until after you have connected the garden hose to the water inlet connector.

## OPERATING INSTRUCTIONS

- 1) Connect the high pressure hose to the water outlet on the back of the unit.
- 2) Insert the spray lance into the gun handle. **NOTE:** Make sure it is locked into place.
- 3) Securely attach garden hose to the water inlet fitting (located on the front of the unit).
- 4) Turn on the water supply.
- 5) Plug GFCI into power receptacle. Press reset button. Indicator should be "ON". Press test button. Indicator should be "OFF". Press reset button for use. Do not use if this test fails.
- 6) Squeeze and hold the trigger until water flow is steady, then release the trigger.
- 7) Turn on the pressure washer. Squeeze the trigger to start the motor. The motor only starts if the trigger of the gun is pulled and shuts off when the trigger is released. (If taking a break for longer than three (3) minutes, release the trigger and switch off the unit.)

### USING THE SOAP BOTTLE:

- Pour detergent into the soap bottle. Attach the dispensing connector firmly to the bottle.
- Connect soap bottle to spray gun securely.
- Engage gun trigger, discharge water and connect pressure washer to power supply.
- Liquid detergent will be drawn slowly into the spray, mixed with water. (Spray will generally remain clear during the soap dispensing function).
- Use a cloth to scrub surface after spraying detergent.
- After scrubbing, rinse with high pressure wash.

After the job is completed, to disconnect the unit, turn off the water source and squeeze the trigger of the gun to release the water pressure. You may now disconnect the garden hose from the water inlet nut on the unit.



**WARNING:** When leaving unattended, push the trigger lock button firmly through the gun handle to lock the trigger.



**WARNING:** Make sure to point the gun in a safe direction when starting the pressure washer. Serious injury could result if pointed at face, feet, animal or other people when starting pressure washer.



**WARNING:** Carefully read the operator's manual before using the pressure washer. Always store in a location where the temperature will not fall below freezing. Freeze damage is not covered by the warranty.



**WARNING:** When you are finished using the pressure washer, switch off the unit and unplug the cord from the electrical outlet.

# Important Set Up And Operating Instructions

## Basic Unit Set Up

Check to make sure all parts are included: see **QUICK START GUIDE** for parts listing

### 1. Install hang hooks



Slide hang hooks on two sides of pressure washer. They can hold high pressure hose and power cord when not in use.

## Operating Instructions

### 1. Connect High Pressure Hose

Connect high pressure hose to the water outlet at back of unit. Note: A small amount of light oil and water may be present in the machine outlet. This is normal.



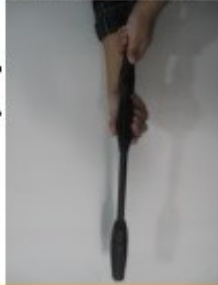
### 5. Plug into Power Source

Plug GFCI into power receptacle. Press reset button: indicator should be "ON". Press test button, indicator should be "OFF". Press reset button for use. Do not use if test fails.



### 2. Connect Spray Lance to Gun

Insert the spray lance into the gun handle. Making a 1/4 turn to ensure lance is locked securely in place.



### 6. Release Trapped Air

Squeeze and hold the trigger until water flow is steady. This assures the air is released creating better pressure for operation.



### 3. Connect Hose to Unit

Securely attach garden hose to the water inlet fitting (located on the front of the unit).

### 4. Turn on Water Supply

Connect the garden hose to the water faucet. Caution: Do not turn on the water until after you have first attached the garden hose to the unit.

### 7 Start Pressure Washer

Turn on the pressure washer. Squeeze the trigger to start the motor. The motor only starts if the trigger of the gun is pulled and shuts off when the trigger is released.



### (Optional) Connect soap bottle

Connect the soap bottle to gun handle directly.



### 2. Connect pressure hose to gun handle



Insert the high pressure hose into the gun handle directly and make sure it is firmly connected.

**Questions/ Problems? DO NOT RETURN TO STORE**

Please contact our Customer Service Department 1-800-313-5111 between 7:30 am - 4:30 pm EST for assistance.

# CLEANING TIPS

## Detergent—what to use

- We recommend that you use a cleaner which is specifically designed for power washers.
- Never use bleach, ammonia or hot water in the unit.

## General Cleaning Tips and Recommendations

- Pre-rinse surfaces to be cleaned with fresh water.
- Never allow the detergent to dry on the surface. If it appears that the detergent is drying before you are ready to rinse, simply wet down the area with fresh water.
- Before cleaning any surface, an inconspicuous area should be cleaned to test spray pattern and distance for maximum cleaning results.
- If painted surfaces are peeling or chipping, use extreme caution as pressure washer may remove the loose paint from the surface.
- When cleaning surfaces which might come in contact with food, rinse surfaces with plenty of potable water.

## Deck Cleaning

For best results, limit your work area to smaller sections of approximately 20-25 square feet. Rinse at high pressure in a long sweeping motion keeping the spray nozzle approximately 2-6 inches from the cleaning surface. Always clean from top to bottom and from left to right. When moving on to a new section of the cleaning surface, be sure to overlap the previous section to eliminate stop marks and ensure a more even cleaning result.

## House Siding

For best results, limit your work area to sections of approximately 5-6 feet wide and always apply detergent from bottom to top. Rinse at high pressure from top to bottom in an even sweeping motion keeping the spray nozzle approximately 6 inches from the cleaning surface.

## Cement Patios, Brick, and Stone

For best results, limit your work area to smaller sections of approximately 20-25 square feet. If using detergent, allow the detergent to remain on the surface for 1-3 minutes. Rinse at high pressure in a sweeping motion keeping the spray nozzle approximately 2-6 inches from the cleaning surface. Always clean from top to bottom and from left to right.

## Cars, Motorcycles, and Boats

For best results, clean one side of vehicle at a time and always apply detergent from bottom to top. Do not allow detergent to dry on surface. If needed, use special wash brush attachment to remove stubborn dirt. Rinse at high pressure in a sweeping motion keeping the spray nozzle approximately 6-8 inches from the cleaning surface (increase the distance when rinsing sensitive surfaces or pin-striping). Always rinse from top to bottom and from left to right. For best results, wipe surface dry with a chamois or soft dry cloth.

## Outdoor Power Equipment, Gardening Tools, and Grills

Allow detergent to remain on surface 1-3 minutes. Rinse at high pressure keeping the spray nozzle approximately 2-6 inches from the cleaning surface. For removing extremely stubborn dirt, it may be necessary to move the spray nozzle even closer to the surface for greater dirt cutting action.

## Lawn Furniture

If needed use special wash brush attachment to remove stubborn dirt. Rinse at high pressure in a sweeping motion keeping the spray nozzle approximately 3-6 inches from the cleaning surface. For best results, clean from top to bottom and from left to right. Run water through the soap dispenser using gun to empty the dispenser.

# MAINTENANCE

If you drop the washer, carefully inspect it for damage. If you see any condition that may affect the washer's operation, contact your local Authorized Service Center for repairs before putting it back into use.



**CAUTION:** Do not at any time let brake fluids, gasoline, petroleum-based products, penetrating oils, etc., come in contact with plastic parts. They contain chemicals that can damage, weaken or destroy plastic.

Fertilizers and other garden chemicals contain agents which greatly accelerate the corrosion of metals. Do not store the tool on or adjacent to fertilizers or chemicals.

If the nozzle becomes clogged it will cause the pump pressure to increase and possibly distort the spray pattern. Clean the nozzle immediately if this should happen.

Remove the nozzle from the spray lance.  
 Clear the nozzle with the nozzle cleaning pin.  
 Flush the nozzle with water.  
 Reconnect the nozzle to the spray lance.  
 If the nozzle is still clogged, repeat the above steps.



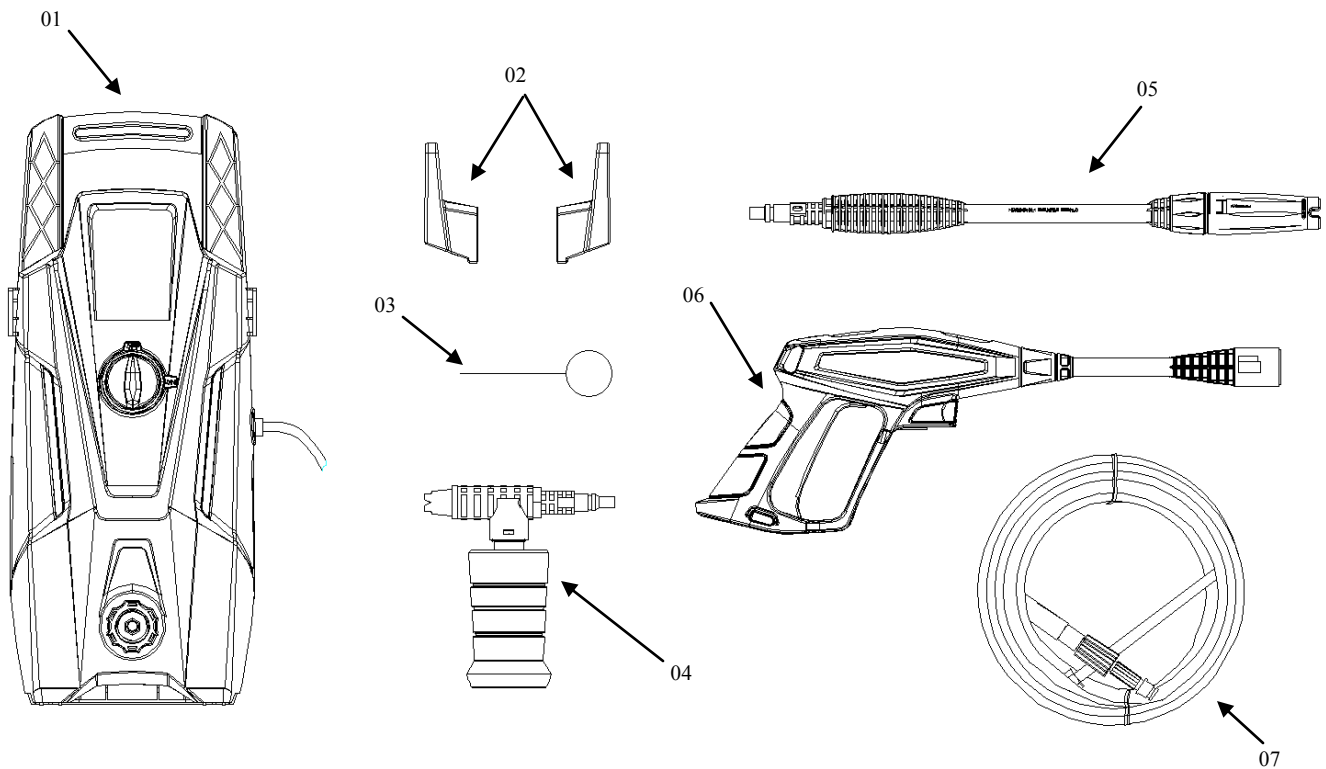
**WARNING:** Use the nozzle cleaning pin only with the nozzle disconnected from the spray lance. Failure to heed this warning could result in serious injury.



**IMPORTANT:** To assure product SAFETY and RELIABILITY, repairs, maintenance and adjustment should be performed by a qualified individual using identical replacement parts.

## CALL US FIRST !!

Call us first with questions about operating or maintaining your pressure washer at 1-800-313-5111 between 7:30 a.m. – 4:30 p.m. Eastern Standard Time, or send emails to [earthwise@reelin.com](mailto:earthwise@reelin.com).



### PARTS LIST

Key no.	Description
01	Mainframe Assembly
02	Hang Hooks
03	Nozzle Cleaning Pin
04	Soap Bottle
05	Spray Lance
06	Gun Handle
07	High Pressure Hose Assembly

## TROUBLESHOOTING

Problem	Possible Cause	Possible Solution
Motor will not start	<ul style="list-style-type: none"> <li>- The switch is in the OFF position</li> <li>- Power cord not plugged in</li> <li>- Electrical outlet does not supply adequate power</li> <li>- The trigger of the water gun is not engaged</li> <li>- GFCI plug not reset</li> </ul>	<ul style="list-style-type: none"> <li>- Turn switch ON</li> <li>- Plug in the power cord</li> <li>- Try another outlet</li> <li>- Engage the trigger of the water gun</li> <li>- Press reset button on GFCI plug</li> </ul>
Motor stops suddenly	<ul style="list-style-type: none"> <li>- Thermal safety switch has tripped due to overheating</li> </ul>	<ul style="list-style-type: none"> <li>- Check that the main voltage corresponds to specifications</li> </ul>
Unit does not reach high pressure	<ul style="list-style-type: none"> <li>- Water inlet filter is clogged</li> <li>- Not enough inlet water supply</li> <li>- Water supply is restricted</li> <li>- Pump is sucking air from connections or hoses</li> </ul>	<ul style="list-style-type: none"> <li>- Clean the water inlet filter</li> <li>- Open water source full force</li> <li>- Check garden hose for kinks</li> <li>- Check that all supply connections are tight</li> </ul>
Outlet pressure fluctuates	<ul style="list-style-type: none"> <li>- Pump is sucking air</li> <li>- Water inlet filter is clogged</li> <li>- Not enough water inlet supply</li> </ul>	<ul style="list-style-type: none"> <li>- Check that hoses and connections are air tight. Turn off the machine and purge pump by triggering the gun until you get a steady flow of water.</li> <li>- Clean the water inlet filter</li> <li>- Open water source full force</li> </ul>
Detergent is not dispensing	<ul style="list-style-type: none"> <li>- Nozzle is clogged with debris</li> </ul>	<ul style="list-style-type: none"> <li>- Remove soap nozzle and clean with nozzle cleaning pin.</li> </ul>
Low pressure	<ul style="list-style-type: none"> <li>- Faucet not fully open or unit is not receiving a full volume of water</li> </ul>	<ul style="list-style-type: none"> <li>- Open the faucet all the way</li> <li>- Check garden hose for kinks</li> <li>- Clean the inlet filter</li> </ul>
Unit will not stop when trigger is released	<ul style="list-style-type: none"> <li>- Gun is malfunctioning</li> </ul>	<ul style="list-style-type: none"> <li>- Disconnect unit from power source</li> <li>- Call customer service help line at 1-800-313-5111 for assistance</li> </ul>

# WARRANTY

## LIMITED WARRANTY FOR PRESSURE WASHERS

This product is manufactured for The Great States Corporation/ American Lawn Mower Company. The Great States Corporation/ American Lawn Mower Company, Shelbyville, Indiana, has been making lawn mowers for over 100 years and it warrants to the original owner that each new product and service part is free from defects in material and workmanship and agrees to repair or replace under this warranty any defective product or part from the original date of purchase for one (1) year except for the conditions and circumstances listed below. Proof of purchase (original dated sales receipt) must accompany all warranty claims.

THIS WARRANTY IS NOT TRANSFERABLE AND DOES NOT COVER:

Products sold damaged or incomplete, sold "as is", sold reconditioned, or used as rental equipment.

Delivery, installation, or normal adjustments explained in the operator's manual.

Damage or liability caused by shipping, improper handling, improper installation, incorrect voltage or improper wiring, improper maintenance, improper modification, or the use of accessories and/or attachments not specifically recommended.

Repairs necessary because of operator abuse or negligence, or the failure to install, operate, maintain, or store the product according to the instructions in the operator's manual.

Damage caused by cold, heat, rain, excessive humidity, corrosive environments and materials, or other contaminants.

Expendable items that become worn during normal use.

Cosmetic defects that do not interfere with tool functionality.

Freight costs from customer to vendor.

Repair and transportation costs of products or parts determined not to be defective.

ANY INCIDENTAL, INDIRECT, OR CONSEQUENTIAL LOSS, DAMAGE, OR EXPENSE THAT MAY RESULT FROM ANY DEFECT, FAILURE, OR MALFUNCTION OF THE PRODUCT. Some states do not allow the exclusion or limitation on how long an implied warranty lasts, so the above limitations may not apply to you.

ANY NON-RESIDENTIAL USE OR COMMERCIAL USE VOIDS ALL WARRANTIES.



830 Webster Street  
Shelbyville, IN 46176  
Phone 1-800-313-5111  
[www.americanlawnmower.com](http://www.americanlawnmower.com)

In a continued commitment to improve quality, the Manufacturer reserves the right to make component changes or design changes when necessary.





# MANUAL DEL OPERARIO

## LAVADORA A PRESIÓN ELÉCTRICA

Este producto está amparado por patentes de EE. UU. y otras patentes internacionales.

Copyright. Todos los derechos reservados.

Modelo PW15003



### CARACTERÍSTICAS

Presión máxima . . . . .	1500 PSI	- Función de parada automática
Presión nominal . . . . .	1050 PSI	- Enchufe UL con protección de ICFT
Rango de presión de entrada . . .	40 PSI – 70 PSI	- 1,3 GPM
Alimentación . . . . .	110-120 V/60 Hz	- Cable eléctrico de 10,6 m (35 pies) de longitud
Amperaje nominal . . . . .	10 amperios	- Pistola pulverizadora de plástico
Peso . . . . .	6,40 kg (14.13 libras)	- Recipiente para jabón
Longitud de la manguera . . .	6,0 metros (20 pies)	

La presión máxima se determina conforme a la norma PW101 de la PWMA.

Su lavadora a presión fue diseñada y fabricada de acuerdo con nuestros altos estándares de confiabilidad, facilidad de operación y seguridad para el operario. Si se la trata con cuidado, le otorgará años de óptimo rendimiento y resistencia.



**ADVERTENCIA:** para reducir el riesgo de sufrir alguna lesión, el usuario debe leer y comprender el manual del operario antes de usar este producto.

Muchas gracias por su compra.

NO DEVUELVA ESTE PRODUCTO A LA TIENDA. ¿TIENE PREGUNTAS SOBRE EL FUNCIONAMIENTO, EL MONTAJE, LAS PIEZAS O EL MANTENIMIENTO? LLAME AL 1-800-313-5111 ENTRE LAS 7:30 Y LAS 16:30 h, HORA ESTÁNDAR DEL ESTE, PARA OBTENER ASISTENCIA.

**GUARDE ESTE MANUAL PARA CONSULTAS FUTURAS**



# ADVERTENCIAS DE SEGURIDAD IMPORTANTES



## PARA REDUCIR EL RIESGO DE LESIONES:

Antes de utilizar este producto, asegúrese de que todos los usuarios lean y comprendan las instrucciones de seguridad y la demás información incluida en este manual.

Lea y guarde estas instrucciones y revíselas con frecuencia antes de usar la herramienta y capacitar a otros.



**PRECAUCIÓN:** use protección auditiva apropiada mientras trabaja. En ciertas condiciones y con cierta duración de uso, el ruido generado por este producto puede contribuir a la pérdida de la audición.



**ADVERTENCIA:** al utilizar aparatos eléctricos para el jardín, se recomienda respetar las precauciones de seguridad básicas a fin de reducir riesgos de incendios, descargas eléctricas y lesiones personales.

LEA TODAS LAS INSTRUCCIONES



**ADVERTENCIA:** parte del polvo y los desechos generados por el uso de esta herramienta contienen químicos reconocidos por el Estado de California como causantes de cáncer, defectos de nacimiento u otros efectos nocivos para el aparato reproductor. Algunos ejemplos de estos productos químicos son:

- Químicos presentes en fertilizantes
- Compuestos presentes en insecticidas, herbicidas y pesticidas
- Arsénico y cromo de maderas tratadas químicamente

El riesgo que usted corre al exponerse a estos químicos varía según la frecuencia con la que realiza este tipo de trabajo. Para reducir la exposición, trabaje en una zona bien ventilada y utilice equipo de protección aprobado, como mascarillas antipolvo especialmente diseñadas para filtrar partículas microscópicas.



**Disposición 65 del estado de California Advertencia:** este producto contiene químicos reconocidos por el Estado de California como causantes de cáncer, defectos de nacimiento u otros efectos nocivos para el aparato reproductor.

## NORMAS GENERALES DE SEGURIDAD

El DOBLE AISLAMIENTO es un concepto de seguridad en las herramientas eléctricas que elimina la necesidad del acostumbrado cable de alimentación puesto a tierra mediante el sistema de tres cables. Todas las piezas metálicas expuestas están separadas de los componentes metálicos internos del motor por un aislamiento protector. Las herramientas con doble aislamiento no necesitan la conexión a tierra.



**ADVERTENCIA:** la finalidad del sistema de doble aislamiento es proteger al usuario de una descarga eléctrica provocada por una rotura del aislamiento interno de la herramienta. Respete todas las precauciones generales de seguridad para evitar una descarga eléctrica.

**NOTA:** el mantenimiento de un producto con doble aislamiento requiere mucho cuidado y conocimiento del sistema, y debe ser realizado sólo por un técnico calificado. Use siempre piezas de repuesto originales de fábrica al efectuar el mantenimiento. Comuníquese con nuestra línea de ayuda de atención al cliente al 1-800-313-5111 para recibir asistencia.

**EVITE AMBIENTES PELIGROSOS.** No utilice este producto en condiciones de lluvia o tormenta ni en lugares húmedos o mojados. Tampoco trabaje en entornos donde existan gases o sustancias explosivas. Por lo general, los motores de estos productos producen chispas que podrían inflamar los gases.

**MANTENGA ALEJADOS A LOS NIÑOS.** Todos los visitantes, niños y mascotas deben mantenerse a una distancia segura de la zona de trabajo.

**USE ROPA ADECUADA.** No use prendas sueltas ni artículos de joyería. Use protección para cubrir y sujetar el cabello largo, ya que puede quedar atrapado en las piezas móviles. Se recomienda usar guantes de goma y calzado resistente cuando se trabaja al aire libre.

**USE GAFAS DE SEGURIDAD.** Al trabajar con este producto, use gafas de seguridad con protectores laterales que cumplan con la norma ANSI Z87.1. Si la operación genera polvo, protéjase el rostro con una mascarilla antipolvo.

**INTERRUPTOR DE CIRCUITO POR FALLA A TIERRA (ICFT).** Si utiliza un cable de extensión, los circuitos o tomacorrientes que se usen para este producto deben contar con esta protección. El cable del producto cuenta con un ICFT incorporado. Se pueden utilizar receptáculos que tengan protección de ICFT incorporada.

**USE LA HERRAMIENTA CORRECTA.** No utilice este producto en trabajos para los que no esté indicado.

**CABLE DE EXTENSIÓN.** Asegúrese de que el cable de extensión esté en buenas condiciones. No utilice cables de extensión con una calificación eléctrica inferior a la calificación de este producto. Un cable de extensión muy pequeño provocará una disminución en la tensión de la línea y, como resultado, una pérdida de potencia y recalentamiento.

Longitud del cable	Calibre del cable
Hasta 7,6 m (25 pies)	2,05 mm (12 AWG)

El cable de extensión y el cable de alimentación se pueden atar para evitar que se desconecten durante el uso. Realice el nudo como se muestra en la imagen y después conecte el enchufe del cable de alimentación en el receptáculo del cable de extensión. Este método también se puede aplicar para unir dos cables de extensión.



**ADVERTENCIA:** Use cables de extensión para exteriores rotulados con las siguientes inscripciones: SW-A, SOW-A, STW-A, STOW-A, SJW-A, SJTW-A, o SJTOWA. Estos cables están especificados para usar al aire libre y reducir el riesgo de descarga eléctrica.

**DESCONECTE LA UNIDAD** del suministro eléctrico cuando no esté en uso o durante el mantenimiento o la limpieza. Manténgala bajo vigilancia constante. No opere ni almacene este producto a temperaturas inferiores al punto de congelación. La garantía no cubre daños por congelación.

Para evitar el riesgo de una descarga eléctrica, el rociado de agua nunca debe dirigirse hacia salidas eléctricas, hacia cableados ni hacia el equipo de la lavadora a presión.

Sepa cómo detener el equipo y purgar la presión en forma rápida. Asegúrese de estar muy bien familiarizado con los controles.

Nunca haga nudos ni retuerza la manguera de alta presión, ya que podrían producirse daños.

**PRECAUCIÓN:** utilice agua limpia y detergente neutro únicamente. No use ácidos ni solventes, ya que pueden provocar lesiones al operario y daños irreversibles al equipo.

Para permitir que el aire circule libremente, NO debe cubrir la lavadora a presión durante el funcionamiento.

**NO MALTRATE EL CABLE.** Nunca tire del cable para trasladar este producto ni para desconectarlo del receptáculo. Aleje el cable del calor, el aceite y los bordes filosos.

**EVITE EL ENCENDIDO ACCIDENTAL.** No transporte la lavadora a presión enchufada con el dedo en el interruptor. Asegúrese de que el interruptor esté en la posición de apagado al enchufar la herramienta.

**PELIGRO:** mantenga las manos alejadas de la boquilla y del rociado de agua. Utilice siempre ambas manos cuando opere la lavadora a presión para mantener el control completo de la varilla.

Nunca dirija el rociado de agua directamente hacia usted o hacia otras personas para lavar ropa o calzado o por cualquier otro motivo.

**PONGA ATENCIÓN.** Observe lo que está haciendo. Use el sentido común. No opere la lavadora a presión si está cansado o bajo la influencia de drogas o medicamentos.

**GUARDE LA UNIDAD BAJO TECHO.** Cuando no esté en uso, deberá guardar el producto en un lugar cerrado, seco y elevado o fuera del alcance de los niños. **MANTENGA LA UNIDAD EN BUENAS CONDICIONES.** Consérvela limpia para lograr un óptimo funcionamiento y reducir el riesgo de lesiones. Revise el cable de extensión periódicamente y reemplácelo si está dañado. Mantenga los mangos secos, limpios y libres de grasa y aceite.

**VERIFIQUE SI HAY PIEZAS DAÑADAS.** Antes de seguir usando el producto, se deberán revisar las piezas dañadas en forma exhaustiva para determinar si la herramienta funcionará correctamente y realizará el trabajo previsto. Verifique la alineación y las uniones de las piezas móviles, el montaje, las averías y otros factores que puedan afectar el funcionamiento. Se debe reparar o reemplazar cualquier pieza dañada en forma adecuada. Comuníquese con nuestra línea de ayuda de atención al cliente al 1-800-313-5111 para recibir asistencia.

**ILUMINACIÓN.** Trabaje con la lavadora a presión sólo con luz natural o buena luz artificial.

**NO ADOPTÉ UNA POSTURA INCÓMODA.** Mantenga una base y equilibrio apropiados en todo momento.



**ENCHUFES POLARIZADOS.** Para reducir el riesgo de una descarga eléctrica, este producto tiene un enchufe polarizado (un contacto es más ancho que el otro). Se debe utilizar un cable de extensión polarizado adecuado de tres cables. Las conexiones polarizadas encajan de una sola manera. Asegúrese de que el extremo del receptáculo del cable de extensión tenga ranuras de anchos diferentes para los contactos. Invierta el enchufe si no encaja exactamente en el cable de extensión. Si aún así no encaja, consiga un cable de extensión adecuado. Si el cable de extensión no se adapta bien al tomacorriente, llame a un electricista competente para que instale un tomacorriente adecuado. No modifique el enchufe de la herramienta ni el cable de extensión de ningún modo.


La lavadora a presión debe estar en posición vertical cuando esté en uso.

No toque el enchufe o el tomacorriente con las manos mojadas.


Desconecte la herramienta del suministro eléctrico antes de desconectar la manguera de alta presión.

# FUNCIONAMIENTO

Esta lavadora a presión está equipada con un dispositivo de detención que detectará el momento en el que se suelte el gatillo de la pistola y detendrá la lavadora a presión

 **ADVERTENCIA:** si la lavadora a presión no se detiene cuando se suelta el gatillo de la pistola, desconecte la unidad de la fuente de alimentación. **NO UTILICE LA LAVADORA A PRESIÓN.** Comuníquese con nuestra línea de ayuda de atención al cliente al 1-800-313-5111 para recibir asistencia.

Está lavadora a presión también está equipada con un interruptor térmico de seguridad que apagará automáticamente el motor en caso de que éste se recaliente. Si esto ocurriera, espere hasta que el motor se enfríe, reinicie el interruptor y continúe utilizando la herramienta normalmente.

 **ADVERTENCIA:** para evitar el riesgo de una electrocución, mantenga todas las conexiones secas y alejadas del suelo. No toque el enchufe con las manos mojadas.

 **ADVERTENCIA:** pruebe el ICFT antes de cada uso. **NO** utilice la lavadora a presión si la siguiente prueba falla.

Procedimiento de la prueba del ICFT:

-Enchufe el ICFT en el tomacorriente. Se debería encender la luz indicadora.

-Presione el botón Test (Prueba). La luz debería apagarse.


-Presione el botón de reinicio para utilizar la unidad. Se debería encender la luz indicadora.

**NO UTILICE LA HERRAMIENTA** si la prueba anterior falla.

Comuníquese con nuestra línea de ayuda de atención al cliente llamando al 1-800-313-5111 para recibir asistencia.

**NOTA:** El ICFT debe restablecerse cada vez que la lavadora a presión se conecta a un tomacorriente. Para esto, simplemente presione el botón de reinicio en el enchufe del ICFT.

Si se utiliza un cable de extensión, el enchufe y el tomacorriente deben mantenerse alejados del agua y la humedad.

 **ADVERTENCIA:** riesgo de descarga. No toque el enchufe o el tomacorriente con las manos mojadas.

La lavadora a presión tiene un chorro muy poderoso, por lo que no se recomienda utilizarla en superficies pintadas o de madera ni en artículos sujetos con adhesivos al dorso.

El ángulo óptimo para rociar agua contra una superficie de limpieza es de 45 grados.

Para minimizar la cantidad de agua que ingresa a la lavadora a presión, la unidad debe ubicarse lo más lejos posible del sitio a limpiar durante la operación.

## PREPARACIÓN PARA EL INVIERNO Y ALMACENAMIENTO A LARGO PLAZO

- Haga funcionar la lavadora a baja presión hasta que se haya drenado todo el jabón del tanque de detergente.
- Vierta agua limpia en el tanque y haga funcionar la unidad a baja presión como si fuese detergente.
- Desconecte todas las conexiones de agua.
- Encienda la máquina durante unos segundos para que expulse todo resto de agua que quede en la bomba, y luego apáguela de inmediato.
- No permita que la manguera de alta presión se retuerza.
- Almacene el equipo y los accesorios en un lugar en el que no se congelen.

No los almacene cerca de un horno o de otra fuente de calor, ya que se podrían secar los sellos de la bomba.

## GUÍA DE INICIO RÁPIDO

- \* Retire con cuidado la lavadora a presión y todos los accesorios de la caja.
- \* Verifique que la unidad no esté dañada y verifique que no falte ninguna pieza.

## LISTA DE PIEZAS:

Lavadora a presión  
Manual del operario  
Varilla de limpieza de boquillas  
Ganchos para colgar (2)  
Mango de la pistola  
Lanza de pulverizado  
Montaje de la manguera de alta presión  
Recipiente para jabón

**NOTA:** se debe reparar o reemplazar cualquier pieza dañada en forma adecuada. Comuníquese con nuestra línea de ayuda de atención al cliente al 1-800-313-5111 para recibir asistencia.


- \* Instale los ganchos para colgar.
- \* Conecte la manguera de alta presión al mango de la pistola.
- \* Conecte una manguera para jardín al grifo. (No se incluye la manguera para jardín). **NOTA:** no abra el grifo antes de que la manguera para jardín esté acoplada al conector de entrada de agua.

## INSTRUCCIONES DE OPERACIÓN

1) Conecte la manguera de alta presión a la salida de agua en la parte trasera de la unidad.

2) Coloque la lanza de pulverizado en el mango de la pistola.

**NOTA:** asegúrese de que esté trabada.

 **ADVERTENCIA:** si el dispositivo no está bien trabado, podría salir expulsado al operar la pistola a presión alta.

3) Coloque la manguera para jardín en la boca de entrada de agua (ubicada el lado izquierdo de la unidad), presionando con firmeza.

4) Encienda el suministro de agua.

5) Enchufe el ICFT en el tomacorriente. Presione el botón de reinicio. La luz indicadora debería estar en la posición "ON" (Encendido).

Presione el botón de prueba. La luz indicadora debería estar en la posición "OFF" (Apagado). Presione el botón de reinicio para utilizar la unidad. No utilice el equipo si esta prueba falla.


6) Mantenga apretado el gatillo hasta que el flujo de agua sea constante, luego suelte el gatillo.


7) Encienda la lavadora a presión. Apriete el gatillo para encender el motor. El motor sólo se encenderá si se presiona el gatillo de la pistola, y se apagará al soltar el gatillo. (Si decide detener el funcionamiento durante más de tres (3) minutos, suelte el gatillo y apague la unidad).


## USO DEL RECIPIENTE PARA JABÓN:


- Vierta el detergente en el recipiente para jabón. Ajuste bien el conector de distribución al recipiente.
- Conecte el recipiente para jabón a la pistola pulverizadora de forma segura.
- Enganche el gatillo de la pistola, descargue el agua y conecte la lavadora a presión al suministro eléctrico.
- El detergente líquido, mezclado con agua, será succionado lentamente dentro del rociador. (Por lo general, el rociador se mantiene despejado durante la función de distribución del jabón).
- Utilice un paño para fregar la superficie después del rociado del detergente.
- Después de fregar, enjuague con presión alta.

Después de terminar el trabajo, desconecte la unidad apagando primero el suministro de agua y apretando el gatillo de la pistola para liberar la presión de agua. Ahora puede desconectar la manguera para jardín de la tuerca de entrada de agua de la unidad.

 **ADVERTENCIA:** al dejar la herramienta sin vigilancia, presione con firmeza el botón de bloqueo del gatillo a través del mango de la pistola para bloquear el gatillo.

 **ADVERTENCIA:** asegúrese de apuntar la pistola en una dirección segura al encender la lavadora a presión. Al encender la lavadora a presión, no apunte al rostro, a los pies, a otras personas o a animales, ya que esto podría provocar lesiones graves.

 **ADVERTENCIA:** Lea atentamente el manual del operario antes de utilizar la lavadora a presión. Almacene siempre en un lugar donde la temperatura no sea inferior al punto de congelación. La garantía no cubre daños por congelación.

 **ADVERTENCIA:** una vez que termine de utilizar la lavadora a presión, apague la unidad y desenchufe el cable del tomacorriente.

# Instrucciones importantes de operación y configuración

## Configuración básica de la unidad

Asegúrese de que estén incluidas todas las piezas: consulte el listado de las piezas en la **GUÍA DE INICIO RÁPIDO**.

### 1. Instale los ganchos para colgar

Deslice los ganchos para colgar a ambos lados de la lavadora a presión. Pueden sostener la manguera de alta presión y el cable de alimentación cuando no se estén utilizando.



## Instrucciones de operación

### 1. Conecte la manguera de alta presión

Conecte la manguera de alta presión a la salida de agua en la parte trasera de la unidad. Nota: puede quedar una pequeña cantidad de agua y aceite ligero en la salida de agua de la máquina. Esto es normal.



### 2. Conecte la lanza de pulverizado a la pistola

Coloque la lanza de pulverizado en el mango de la pistola. Rote la lanza ¼ de giro para asegurarse de que quede bien trabada en el lugar.



### 3. Conecte la manguera a la unidad

Coloque la manguera para jardín en la boca de entrada de agua (ubicada en la parte delantera de la unidad), presionando con firmeza.

### 4. Encienda el suministro de agua

Conecte la manguera para jardín al grifo de agua. Precaución: no abra el grifo antes de que la manguera para jardín esté acoplada a la unidad.



Introduzca la manguera de alta presión directamente en el mango de la pistola y asegúrese de que esté conectada firmemente.

### 5. Enchufe la unidad al suministro eléctrico

Enchufe el ICFT en el tomacorriente. Presione el botón de reinicio: el indicador debería estar en la posición "ON" (Encendido); presione el botón de prueba; el indicador debería estar en la posición "OFF" (Apagado); presione el botón de reinicio. No utilice el equipo si la prueba falla.



### 6. Suelte el aire atrapado

Mantenga apretado el gatillo hasta que el flujo de agua sea constante. Al salir el aire, se garantiza una mejor presión de operación.



### 7. Encienda la lavadora a presión

Encienda la lavadora a presión. Apriete el gatillo para encender el motor. El motor sólo se encenderá si se presiona el gatillo de la pistola, y se apagará al soltar el gatillo.



### (Opcional) Coloque el recipiente para jabón

Coloque el recipiente para jabón directamente en el mango de la pistola.



**¿Preguntas? ¿Problemas? NO DEVUELVA ESTE PRODUCTO A LA TIENDA**

Si necesita asistencia, comuníquese con nuestro Departamento de Atención al Cliente al 1-800-313-5111, entre las 7:30 y las 16:30 h, hora estándar del este.

# CONSEJOS DE LIMPIEZA

## Qué detergente usar

- Recomendamos utilizar un limpiador específicamente diseñado para lavadoras a presión.
- Nunca use cloro, amoníaco ni agua caliente en la unidad.

## Consejos y recomendaciones generales de limpieza

- Enjuague previamente con agua dulce las superficies que se deben limpiar.
- Nunca deje secar el detergente sobre la superficie. Si el detergente comienza a secarse antes del enjuague, simplemente humedezca el área con agua dulce.
- Antes de limpiar cualquier superficie, elija un sector poco visible para comprobar el patrón y la distancia de rociado y obtener el máximo resultado en la limpieza.
- Si la pintura de la superficie se está descascarando o pelando, sea sumamente cuidadoso ya que la lavadora a presión puede desprender la pintura floja.
- Al limpiar superficies que puedan estar en contacto con alimentos, enjuáguelas con abundante agua potable.

## Limpieza de plataformas

Para obtener mejores resultados, limite el área de trabajo a sectores más reducidos de 1,8 a 2,3 metros cuadrados (de 20 a 25 pies cuadrados) aproximadamente. Para enjuagar, aplique presión alta con un movimiento largo de barrido y mantenga la boquilla de rociado a una distancia aproximada de 5,0 a 15,2 cm (de 2 a 6 pulgadas) de la superficie de limpieza. Siempre limpie de arriba hacia abajo y de izquierda a derecha. Al pasar a otro sector de la superficie, asegúrese de superponerlo con el sector anterior para evitar las marcas entre los sectores de limpieza y garantizar un resultado aún más uniforme.

## Revestimientos exteriores de casas

Para obtener mejores resultados, limite el área de trabajo a sectores de aproximadamente 1,5 a 1,8 m (5 a 6 pies) de ancho y siempre aplique el detergente de abajo hacia arriba. Para enjuagar, aplique presión alta de arriba hacia abajo con un movimiento de barrido uniforme y mantenga la boquilla de rociado a una distancia aproximada de 15,2 cm (6 pulgadas) de la superficie de limpieza.

## Patios de cemento, ladrillo y piedra

Para obtener mejores resultados, limite el área de trabajo a sectores más reducidos de 1,8 a 2,3 metros cuadrados (de 20 a 25 pies cuadrados) aproximadamente. Si usa detergente, déjelo actuar sobre la superficie de 1 a 3 minutos. Para enjuagar, aplique presión alta con un movimiento de barrido y mantenga la boquilla de rociado a una distancia aproximada de 5,0 a 15,2 cm (de 2 a 6 pulgadas) de la superficie de limpieza. Siempre limpie de arriba hacia abajo y de izquierda a derecha.

## Automóviles, motocicletas y embarcaciones

Para obtener mejores resultados, limpie un lado del vehículo por vez y siempre aplique el detergente de abajo hacia arriba. No deje secar el detergente sobre la superficie. Si es necesario, use un accesorio especial, como un cepillo de lavar, para eliminar la suciedad rebelde. Para enjuagar, aplique presión alta con un movimiento de barrido y mantenga la boquilla de rociado a una distancia aproximada de 15,2 a 20,3 cm (de 6 a 8 pulgadas) de la superficie de limpieza. Aumente la distancia al enjuagar superficies delicadas o pinstriping (detalles de pintura personalizados). Siempre enjuague de arriba hacia abajo y de izquierda a derecha. Para obtener mejores resultados, seque la superficie con una gamuza o un paño suave y seco.

## Parrillas, herramientas de jardín y equipos eléctricos para exteriores

Deje actuar el detergente sobre la superficie de 1 a 3 minutos. Para enjuagar, aplique presión alta y mantenga la boquilla de rociado a una distancia aproximada de 5,0 a 15,2 cm (de 2 a 6 pulgadas) de la superficie de limpieza. Si la suciedad es muy persistente, quizás sea necesario acercarse más a la boquilla de rociado a la superficie para lograr un mayor poder de remoción de la suciedad.

## Muebles de jardín

Si es necesario, use un accesorio especial, como un cepillo de lavar, para eliminar la suciedad rebelde. Para enjuagar, aplique presión alta con un movimiento de barrido y mantenga la boquilla de rociado a una distancia aproximada de 7,6 a 15,2 cm (de 3 a 6 pulgadas) de la superficie de limpieza. Para obtener mejores resultados, limpie de arriba hacia abajo y de izquierda a derecha. Para vaciar el dosificador de jabón, deje correr agua utilizando la pistola.

# MANTENIMIENTO

Si la lavadora se ha caído, inspecciónela cuidadosamente para comprobar si sufrió algún daño. Si detecta alguna condición que pudiera afectar el funcionamiento de la lavadora, comuníquese con el centro de servicio autorizado local para que se realicen las reparaciones pertinentes antes de volver a usarla.



**PRECAUCIÓN:** evite en todo momento que líquidos de frenos, gasolina, productos a base de petróleo, aceites penetrantes, etc. entren en contacto con las piezas plásticas. Contienen químicos que pueden dañar, debilitar o destruir el plástico.

Los fertilizantes y otros productos químicos para el jardín contienen agentes que aceleran la corrosión de los metales en forma considerable. No guarde la herramienta junto a fertilizantes ni productos químicos.

Si se tapa la boquilla, la presión de la bomba aumentará y se distorsionará el patrón de pulverización. Si esto sucede, limpie la boquilla inmediatamente.

Retire la boquilla de la lanza de pulverizado.

Limpie la boquilla con la varilla de limpieza de boquillas.

Enjuague la boquilla con agua.

Vuelva a conectar la boquilla a la lanza de pulverizado.

Si la boquilla continúa tapada, repita los pasos anteriores.



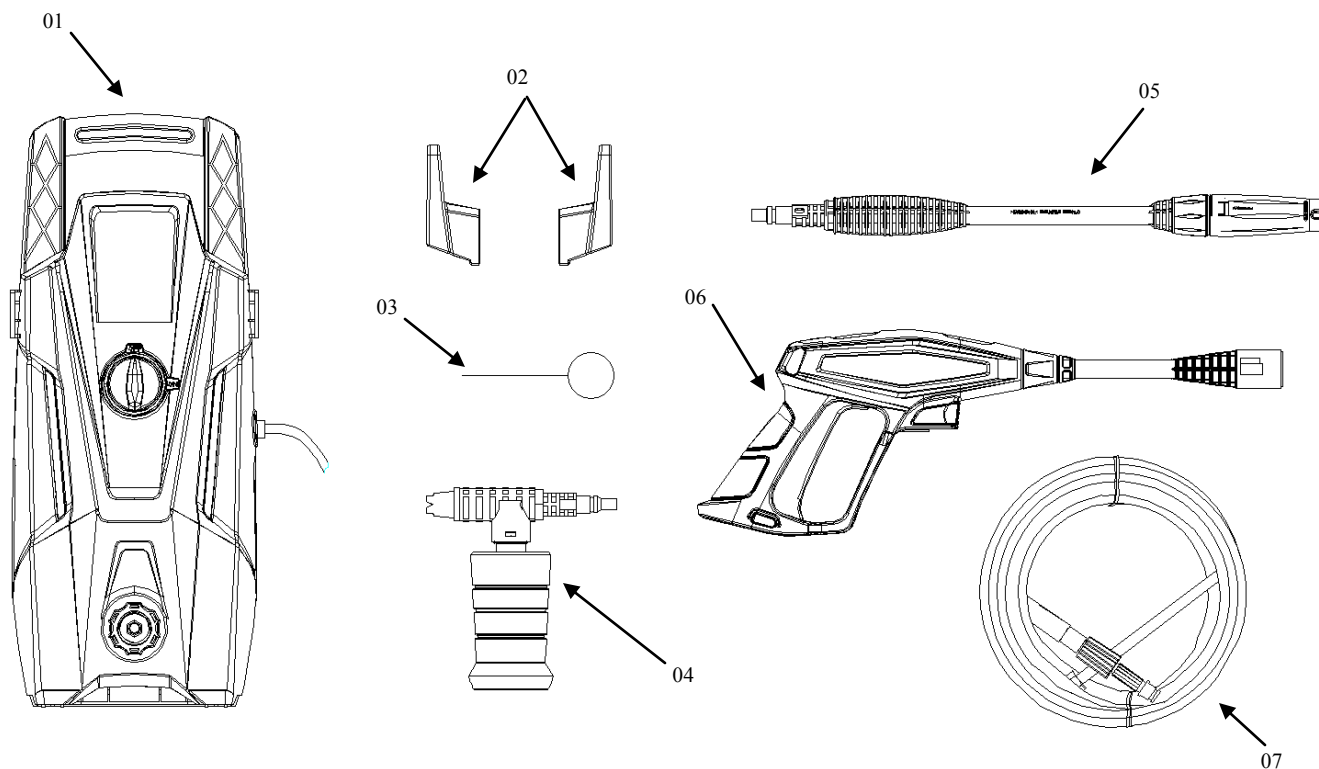
**ADVERTENCIA:** utilice la varilla de limpieza de boquillas únicamente si la boquilla está desconectada de la lanza de pulverizado. De lo contrario, podría sufrir lesiones graves



**IMPORTANTE:** a fin de garantizar la SEGURIDAD y la CONFIABILIDAD del producto, las reparaciones, el mantenimiento y los ajustes deben estar a cargo de una persona calificada, y se deben utilizar repuestos idénticos.

## ¡LLÁMENOS PRIMERO!

Llámenos primero si tiene preguntas sobre el funcionamiento o el mantenimiento de su lavadora a presión al 1-800-313-5111, de 7:30 a 16:30 h, hora estándar del este, o envíe un correo electrónico a [earthwise@reelin.com](mailto:earthwise@reelin.com).



### LISTA DE PIEZAS

N.º de referencia	Descripción
01	Montaje principal
02	Ganchos para colgar
03	Varilla de limpieza de boquillas
04	Recipiente para jabón
05	Lanza de pulverizado
06	Mango de la pistola
07	Montaje de la manguera de alta presión

## SOLUCIÓN DE PROBLEMAS

Problema	Posible Causa	Posible Solución
El motor no arranca.	<ul style="list-style-type: none"> <li>- El interruptor está en la posición de apagado.</li> <li>- El cable de alimentación no está enchufado.</li> <li>- El tomacorriente no suministra energía suficiente.</li> <li>- No se accionó el gatillo de la pistola de agua.</li> <li>- No se reinicia el enchufe del ICFT.</li> </ul>	<ul style="list-style-type: none"> <li>- Coloque el interruptor en la posición de encendido.</li> <li>- Enchufe el cable de alimentación.</li> <li>- Pruebe con otro tomacorriente.</li> <li>- Apriete el gatillo de la pistola de agua.</li> <li>- Presione el botón de reinicio en el enchufe del ICFT.</li> </ul>
El motor se detiene abruptamente.	<ul style="list-style-type: none"> <li>- Se ha activado el interruptor térmico de seguridad debido a un recalentamiento.</li> </ul>	<ul style="list-style-type: none"> <li>- Verifique que el voltaje principal coincida con las especificaciones.</li> </ul>
La unidad no alcanza presión alta.	<ul style="list-style-type: none"> <li>- El filtro de entrada de agua está tapado.</li> <li>- El suministro de entrada de agua no es suficiente.</li> <li>- El suministro de agua está obstruido.</li> <li>- La bomba está succionando aire proveniente de las conexiones o de las mangueras.</li> </ul>	<ul style="list-style-type: none"> <li>- Limpie el filtro de entrada de agua.</li> <li>- Abra el suministro de agua al máximo.</li> <li>- Verifique que la manguera para jardín no esté doblada.</li> <li>- Verifique que todas las conexiones de suministro estén bien ajustadas.</li> </ul>
La presión de salida fluctúa.	<ul style="list-style-type: none"> <li>- La bomba está succionando aire.</li> <li>- El filtro de entrada de agua está tapado.</li> <li>- El suministro de entrada de agua no es suficiente.</li> </ul>	<ul style="list-style-type: none"> <li>- Verifique que las mangueras y las conexiones estén bien ajustadas, de modo que no ingrese aire. Apague la máquina y purgue la bomba apretando el gatillo de a pistola hasta obtener un flujo de agua constante.</li> <li>- Limpie el filtro de entrada de agua.</li> <li>- Abra el suministro de agua al máximo.</li> </ul>
No sale detergente.	<ul style="list-style-type: none"> <li>- La boquilla está tapada con suciedad.</li> </ul>	<ul style="list-style-type: none"> <li>- Retire la boquilla de jabón y límpiela con la varilla de limpieza de boquillas.</li> </ul>
La presión es baja.	<ul style="list-style-type: none"> <li>- El grifo no está abierto completamente o la unidad no está recibiendo un volumen de agua suficiente.</li> </ul>	<ul style="list-style-type: none"> <li>- Abra completamente el grifo.</li> <li>- Verifique que la manguera para jardín no esté doblada.</li> <li>- Limpie el filtro de entrada.</li> </ul>
La unidad no se detiene al soltar el gatillo.	<ul style="list-style-type: none"> <li>- La pistola no está funcionando correctamente.</li> </ul>	<ul style="list-style-type: none"> <li>- Desconecte la unidad de la fuente de alimentación.</li> <li>- Comuníquese con nuestra línea de ayuda de atención al cliente al 1-800-313-5111 para recibir asistencia.</li> </ul>

# WARRANTY

## GARANTÍA LIMITADA PARA LAVADORAS A PRESIÓN

Este producto ha sido fabricado por The Great States Corporation/American Lawn Mower Company. The Great States Corporation/American Lawn Mower Company, Shelbyville, Indiana, ha fabricado cortadoras de césped durante más de 100 años y garantiza al propietario original que cada uno de los productos y repuestos nuevos no tienen defectos de materiales ni de fabricación, y se compromete a reparar o sustituir, conforme a esta garantía, cualquier pieza o producto defectuoso por (1) año a partir de la fecha original de compra, a excepción de las condiciones y circunstancias detalladas a continuación. Todos los reclamos de garantía deben estar acompañados de un comprobante de compra (recibo de compra original con fecha).

### ESTA GARANTÍA NO ES TRANSFERIBLE Y NO CUBRE:

Productos vendidos con averías o incompletos, vendidos en las condiciones que se encuentren, reacondicionados o usados como equipos de alquiler.

Entrega, instalación ni ajustes normales que se explican en el manual del operario.

Daños ni inconvenientes causados por envío, manipulación inadecuada, instalación incorrecta, voltaje o cableado incorrecto, mantenimiento deficiente, modificaciones inadecuadas o el uso de accesorios o dispositivos de sujeción no recomendados específicamente.

Reparaciones necesarias por el uso indebido o negligencia del operario, o por no instalar, operar, mantener o guardar el producto conforme a las instrucciones del manual del operario.

Daños causados por el frío, el calor, la lluvia, la humedad excesiva, ambientes y materiales corrosivos u otros contaminantes.

Elementos consumibles que se desgastan con el uso normal.

Defectos cosméticos que no interfieren con la funcionalidad de la herramienta.

Costos de flete del cliente al proveedor.

Costos de reparación y transporte de piezas o productos que no se consideren defectuosos.

**PÉRDIDAS, DAÑOS O GASTOS INCIDENTALES, INDIRECTOS O CONSECUENCIALES QUE OCURRAN COMO RESULTADO DE DEFECTOS, FALLAS O MAL FUNCIONAMIENTO DEL PRODUCTO.** Algunos estados no permiten la exclusión o limitación respecto de la duración de una garantía implícita; por lo tanto, es posible que las limitaciones enunciadas anteriormente no le correspondan.

**EL USO COMERCIAL O NO RESIDENCIAL ANULA TODAS LAS GARANTÍAS.**



830 Webster Street  
Shelbyville, IN 46176  
Teléfono: 1-800-313-5111  
[www.americanlawnmower.com](http://www.americanlawnmower.com)

Con el compromiso constante de mejorar la calidad, el fabricante se reserva el derecho de modificar los componentes o diseñar cambios cuando lo considere necesario.





# MANUEL DE L'UTILISATEUR

## NETTOYEUR HAUTE PRESSION ÉLECTRIQUE

Ce produit est protégé par des brevets américains et d'autres brevets internationaux

Droit d'auteur. Tous droits réservés.

Modèle PW15003



### CARACTÉRISTIQUES

Pression maximale . . . . .	1 500 PSI	- Fonction d'arrêt automatique
Pression nominale . . . . .	1 050 PSI	- Fiche UL avec disjoncteur de fuite à la terre
Plage de la pression d'entrée . . . . .	40 PSI-70 PSI	- 1,3 GPM
Alimentation électrique . . . . .	110-120 V/60 Hz	- Longueur du cordon électrique de 10,6 m (35 pi)
Intensité nominale . . . . .	10 A	- Pistolet pulvérisateur en plastique
Poids . . . . .	6,40 kg (14,13 lb)	- Bouteille de savon
Longueur du tuyau . . . . .	6,0 m (20 pi)	

Pressions nominales maximales déterminées selon le PWMA. PW101 standard

Votre nettoyeur haute pression a été conçu et fabriqué selon nos normes élevées de fiabilité, de facilité d'utilisation et de sécurité de l'utilisateur. Correctement entretenu, il vous procurera des années de service intensif et sans souci.



**AVERTISSEMENT :** Afin d'éviter de se blesser, l'utilisateur doit lire et comprendre le manuel de l'utilisateur avant d'utiliser ce produit.

Merci pour votre achat.

NE RENVOYEZ PAS CE PRODUIT AU MAGASIN. AVEZ-VOUS DES QUESTIONS CONCERNANT LE FONCTIONNEMENT, L'ASSEMBLAGE, LES PIÈCES OU LA RÉPARATION DU PRODUIT? COMPOSEZ LE 1-800-313-5111 DE 7 h 30 à 16 h 30, HNE, POUR OBTENIR DE L'AIDE.

---

**CONSERVEZ CE MANUEL POUR POUVOIR LE CONSULTER ULTÉRIEUREMENT**

---



# AVERTISSEMENTS DE SÉCURITÉ IMPORTANTS



## POUR RÉDUIRE LE RISQUE DE BLESSURE :

Avant toute utilisation, assurez-vous que toute personne utilisant ce produit a lu et compris toutes les consignes de sécurité et les autres renseignements contenus dans ce manuel.

Conservez ces instructions et relisez-les souvent avant d'utiliser le produit et lorsque vous apprenez son emploi à d'autres personnes.



**MISE EN GARDE :** Portez des protections auditives appropriées pendant l'utilisation. Dans certaines conditions, ou en cas d'utilisation prolongée, le bruit émis par ce produit peut contribuer à une perte auditive.



**AVERTISSEMENT :** Lors de l'utilisation d'outils électriques de jardinage, les consignes de sécurité de base doivent toujours être suivies afin d'éviter les incendies, décharges électriques et/ou blessures.

## LIRE TOUTES LES INSTRUCTIONS



**AVERTISSEMENT :** L'État de Californie considère que des poussières et débris créés par l'utilisation de cet outil sont susceptibles de contenir des produits chimiques qui sont cancérigènes et à l'origine de malformations congénitales ou d'autres troubles de l'appareil reproducteur. Parmi ces produits chimiques, citons : les produits chimiques contenus dans les engrais ; les composés contenus dans les insecticides, les herbicides et les pesticides ; l'arsenic et le chrome du bois traité chimiquement.

Notre risque d'exposition à ces produits chimiques varie en fonction du nombre de fois que vous effectuez ce type de travail. Afin de réduire l'exposition à ces produits chimiques, travaillez dans un endroit bien aéré et portez un équipement de sécurité homologué, comme un masque anti-poussières spécialement conçu pour filtrer les particules microscopiques.



**AVERTISSEMENT de la Proposition 65 de l'État de la Californie :** L'État de la Californie considère que certains produits chimiques contenus dans cet appareil sont à l'origine de cancers, de malformations congénitales et d'autres troubles de l'appareil reproducteur.

## SÉCURITÉ GÉNÉRALE

**DOUBLE ISOLATION** – La double isolation est un concept de sécurité des outils électriques, qui élimine le besoin du traditionnel cordon électrique à 3 fiches avec mise à la terre. Toutes les pièces métalliques exposées sont isolées des composants métalliques du moteur interne par une isolation de protection. Il n'est pas nécessaire de raccorder les outils à double isolation à la terre.



**AVERTISSEMENT :** Le système à double isolation est conçu pour protéger l'utilisateur d'une décharge électrique résultant d'une rupture dans l'isolation interne de l'outil. Suivez toutes les consignes de sécurité normales pour éviter une décharge électrique.

**REMARQUE :** L'entretien d'un outil à double isolation requiert beaucoup d'attention et une connaissance approfondie du système. Cela doit être confié à un technicien d'entretien qualifié. Utilisez toujours des pièces de rechange d'usine originales lors de tout entretien. Appelez notre service clientèle au 1-800-313-5111 pour obtenir de l'aide.

**ÉVITER LES ENVIRONNEMENTS DANGEREUX** – N'utilisez pas ce produit sous la pluie ou dans un environnement humide. N'utilisez pas l'appareil dans les atmosphères gazeuses ou explosives. Le moteur de ce produit émet normalement des étincelles capables d'enflammer les vapeurs chimiques.

**GARDER HORS DE PORTÉE DES ENFANTS** – Tous les visiteurs, enfants et animaux domestiques doivent se tenir au-delà du périmètre de sécurité de la zone de travail.

**S'HABILLER DE FAÇON APPROPRIÉE** - Ne mettez ni vêtements amples ni bijoux et portez une protection pour cheveux si vous avez les cheveux longs. Ceux-ci risquent en effet d'être happés par les pièces en mouvement. L'utilisation de gants en caoutchouc et de chaussures robustes est recommandée pour les travaux à l'extérieur.

**PORTER DES LUNETTES DE SÉCURITÉ** – Lors de l'utilisation de ce produit, portez des lunettes de sécurité avec des écrans latéraux portant une marque de conformité à la norme ANSI Z87.1. Portez un masque facial ou antipoussières en présence de poussières.

Une protection par DISJONCTEUR DE FUITE DE TERRE (GFCI) doit être présente sur le ou les circuits ou prises à utiliser pour ce produit en cas d'utilisation d'une rallonge. Le cordon du produit possède un disjoncteur de fuite de terre intégré. Des prises avec une protection GFCI intégrée sont disponibles et peuvent être utilisées.

**UTILISER LE BON OUTIL** – N'utilisez pas ce produit pour une tâche à laquelle il n'est pas destiné.

**RALLONGE.** Assurez-vous que la rallonge est en bon état. N'utilisez que des rallonges d'une puissance électrique supérieure ou égale à la puissance du produit. Une rallonge de calibre insuffisant provoquera une baisse de tension de ligne qui entraînera une perte de puissance et une surchauffe.

**Longueur du câble**    **Calibres pour fils**  
Jusqu'à 7,6 m (25 pi)    12 AWG

Il est possible de nouer la rallonge et le câble d'alimentation afin de les empêcher de se déconnecter pendant l'utilisation. Effectuez le nœud comme illustré, puis branchez la fiche du cordon d'alimentation dans la fiche femelle de la rallonge. Cette méthode peut également être utilisée pour raccorder deux rallonges ensemble.



**AVERTISSEMENT :** Utilisez des rallonges extérieures marquées SW-A, SOW-A, STW-A, STOW-A, SJW-A ou SJTOW-A. Ces câbles sont conçus pour une utilisation en extérieur et réduisent le risque de décharge électrique.

**DÉBRANCHER L'APPAREIL** de l'alimentation quand il n'est pas utilisé ou lors de l'entretien ou du nettoyage. Ne le laissez pas sans surveillance.

N'utilisez pas ou n'entreposez pas ce produit à une température sous le point de congélation. Les dégâts provoqués par le gel ne sont pas couverts par la garantie.

Pour éviter les risques de chocs électriques, le jet d'eau ne doit jamais être dirigé vers toute prise ou câblage électrique ou directement vers l'équipement du nettoyeur haute pression en soi.

Sachez comment arrêter l'équipement et réduire rapidement les pressions. Soyez très familier avec les commandes.

Ne nouez ou ne pliez pas le tuyau de haute pression car des dommages pourraient survenir.



**MISE EN GARDE :** Utilisez seulement de l'eau propre et un détergent neutre. N'utilisez pas des acides ou des solvants, car ils pourraient blesser l'utilisateur et endommager de manière irréversible l'équipement.

Pour permettre une libre circulation de l'air, le nettoyeur haute pression ne doit PAS être couvert lors de son fonctionnement.

**NE MALLENEZ PAS LE CORDON ÉLECTRIQUE** - Ne transportez jamais le produit par le cordon et ne tirez jamais sur le cordon pour le débrancher. Tenez le cordon à l'écart de la chaleur, de l'huile et des bords tranchants.

**ÉVITEZ LES DÉMARRAGES ACCIDENTELS**- Ne transportez pas le nettoyeur haute pression branché avec votre doigt sur l'interrupteur. Assurez-vous que l'interrupteur est sur arrêt avant d'effectuer le branchement.



**DANGER :** Conservez vos mains loin du bec ou du jet d'eau. Utilisez toujours vos deux mains lorsque vous utilisez le nettoyeur haute pression afin de contrôler totalement la lance.

Ne dirigez jamais le jet d'eau directement vers vous ou autrui afin de nettoyer des vêtements, chaussures ou pour toute autre raison.

**RESTER VIGILANT** – Regardez ce que vous faites. Faites preuve de bon sens. N'utilisez pas le nettoyeur haute pression si vous êtes fatigué ou sous l'influence de médicaments ou de drogues.

**RANGEZ L'APPAREIL À L'INTÉRIEUR** – Lorsqu'il n'est pas utilisé, le produit doit être rangé à l'intérieur dans un endroit sec et élevé ou verrouillé, et hors de portée des enfants.

**ENTRETIENEZ L'APPAREIL AVEC ATTENTION** – Maintenez-le propre pour un rendement optimal et pour réduire le risque de blessure. Inspectez régulièrement la rallonge et remplacez-la si elle est endommagée. Maintenez les poignées sèches, propres et exemptes d'huile et de graisse.

**VÉRIFIEZ LES PIÈCES ENDOMMAGÉES** – Avant de poursuivre l'utilisation du produit, toute pièce endommagée doit être vérifiée scrupuleusement afin de déterminer qu'elle fonctionnera correctement et remplira sa fonction prévue. Vérifiez que les pièces mobiles sont alignées, qu'elles ne sont pas coincées, qu'aucune pièce n'est cassée, et inspectez la qualité du montage et toute autre condition pouvant affecter le fonctionnement de l'outil. Toute pièce endommagée doit être réparée ou remplacée de manière adéquate. Appelez notre service clientèle au 1-800-313-5111 pour obtenir de l'aide.

**ÉCLAIRAGE** - N'utilisez le nettoyeur haute pression qu'à la lumière du jour ou sous un bon éclairage artificiel.

**NE PAS ESSAYER DE COUPER TROP LOIN** – Conservez toujours une assise correcte et un bon équilibre.



**FICHES POLARISÉES** – Afin de réduire le risque de chocs électriques, ce produit comporte une prise polarisée (une fiche est plus large que l'autre). Ce produit doit être utilisé avec une rallonge adaptée polarisée à 3 fiches. Les connexions polarisées ne peuvent être effectuées que de la bonne façon. Assurez-vous que la prise femelle de la rallonge comporte des emplacements pour une fiche large et une fiche étroite. Si la fiche ne s'enfonce pas entièrement dans la rallonge, inversez la fiche. Si elle ne s'adapte toujours pas, obtenez une rallonge appropriée. Si la rallonge ne convient pas à la prise murale, contactez un électricien qualifié pour installer une prise murale correcte. Ne changez en aucun cas la prise de l'outil ou de la rallonge.

Le nettoyeur haute pression doit être en position debout lors de son utilisation. Ne touchez pas la prise avec les mains mouillées.

Débranchez de l'alimentation électrique avant de déconnecter le tuyau haute pression.

# UTILISATION

Ce nettoyeur haute pression est équipé d'un dispositif d'arrêt qui détectera lorsque la gâchette du pistolet est relâchée provoquant l'arrêt du nettoyeur haute pression.



**AVERTISSEMENT** : si le nettoyeur haute pression ne s'arrête pas lorsque la gâchette du pistolet est relâchée, débranchez le nettoyeur de l'alimentation. **N'UTILISEZ PAS LE NETTOYEUR HAUTE PRESSION.** Appelez notre service clientèle au 1-800-313-5111 pour obtenir de l'aide. Ce nettoyeur haute pression est également équipé d'un commutateur de sécurité thermique qui éteindra automatiquement le moteur en cas de surchauffe de ce dernier. Si cela devait se produire alors attendez que le moteur ait refroidi, puis réinitialisez le commutateur. Vous pouvez alors poursuivre l'utilisation normale de l'appareil.



**AVERTISSEMENT** : Pour réduire les risques d'une électrocution, conservez tous les branchements au sec et hors du sol. Ne touchez pas la fiche avec des mains mouillées.



**AVERTISSEMENT** : Testez le disjoncteur de fuite de terre avant chaque utilisation. N'utilisez PAS le nettoyeur haute pression en cas d'échec du test qui suit.

Procédures de test du disjoncteur de fuite de terre :

- Branchez le disjoncteur de fuite de terre dans sa prise d'alimentation. Le voyant lumineux devrait s'allumer.

- Appuyez sur le bouton de test. Le voyant devrait s'éteindre.

- Appuyez sur le bouton de réinitialisation pour utiliser l'appareil. Le voyant lumineux devrait s'allumer.

**N'UTILISEZ PAS** si le test ci-dessus échoue et appelez notre service clientèle au 1-800-313-5111 pour obtenir de l'aide.

**REMARQUE** : Le disjoncteur de fuite de terre doit être réinitialisé chaque fois que vous branchez le nettoyeur haute pression à une prise électrique. Réinitialiser en poussant simplement le bouton de réinitialisation sur la fiche d'alimentation du GFCL.

Si une rallonge est utilisée, la prise et la fiche doivent demeurer loin de toute eau et humidité.



**AVERTISSEMENT** : Risque de décharge électrique. Ne touchez pas la prise ou la fiche avec les mains mouillées.

Le jet étroit de précision est très puissant. Il n'est pas recommandé de l'utiliser sur des surfaces peintes, en bois ou des articles fixés à l'aide d'un dos adhésif.

L'angle optimal pour pulvériser l'eau contre une surface à nettoyer est de 45 degrés.

Pour minimiser la quantité d'eau entrant dans le nettoyeur haute pression, l'appareil doit être placé aussi loin que possible du site de nettoyage lors de son utilisation.

## HIVÉRISATION ET ENTREPOSAGE À LONG TERME

- Faites fonctionner le nettoyeur haute pression à basse pression jusqu'à vidange complète du savon du réservoir du détergent.
- Versez de l'eau claire dans le réservoir et faites-la couler à basse pression comme si c'était du détergent.
- Débranchez tous les raccords d'eau.
- Mettez en marche l'appareil pendant quelques secondes pour vider toute eau restante dans la pompe, puis éteignez immédiatement l'appareil.
- Ne permettez pas au boyau de haute pression de se plier.
- Entrez l'équipement et les accessoires dans une zone où ils ne gèleront pas.

Ne les entreposez pas près d'une fournaise ou d'une autre source de chaleur car cela peut rendre sec les joints de la pompe.

## GUIDE DE DÉMARRAGE RAPIDE

\* Enlevez avec précaution le nettoyeur haute pression et tous les accessoires de la boîte.

\* Vérifiez qu'aucune pièce ne soit endommagée ou manquante.

LISTE DES PIÈCES :

Nettoyeur haute pression

Manuel de l'utilisateur

Broche de nettoyage du bec

Crochets de suspension (2)

Poignée du pistolet

Lance de pulvérisation

Assemblage du tuyau haute pression

Bouteille de savon

**REMARQUE** : Toute pièce endommagée doit être réparée ou remplacée de manière adéquate. Appelez notre service clientèle au 1-800-313-5111 pour obtenir de l'aide.

\* Installez les crochets de suspension.

\* Raccordez le tuyau haute pression à la poignée du pistolet.

\* Raccordez un tuyau d'arrosage sur le robinet d'eau. (Le tuyau d'arrosage n'est pas inclus.) **REMARQUE** : N'ouvrez pas l'eau tant que vous n'avez pas raccordé le tuyau d'arrosage au connecteur de l'entrée d'eau.

## INSTRUCTIONS D'UTILISATION

1) Raccordez le tuyau haute pression à la sortie d'eau située à l'arrière de l'appareil.

2) Insérez la lance de pulvérisation dans la poignée du pistolet.

**REMARQUE** : Assurez-vous qu'elle est verrouillée en place.

**AVERTISSEMENT** : Si l'accessoire n'est pas fermement verrouillé en place, il risque d'être éjecté lors de l'utilisation du pistolet sous haute pression.

3) Bien fixer le tuyau d'arrosage sur le raccord de l'entrée d'eau (situé à l'avant de l'appareil).

4) Ouvrez l'alimentation en eau.

5) Branchez le disjoncteur de fuite de terre dans sa prise d'alimentation.

Appuyez sur le bouton de réinitialisation. L'indicateur devrait s'allumer. Appuyez sur le bouton de test. L'indicateur devrait s'éteindre.

Appuyez sur le bouton de réinitialisation pour utiliser l'appareil. N'utilisez pas l'appareil en cas d'échec du test.

6) Maintenez la gâchette enfoncée jusqu'à ce que de l'eau s'écoule de manière continue, puis relâchez-la.

7) Mettez le nettoyeur haute pression en marche. Pressez la gâchette pour mettre le moteur en marche. Le moteur ne démarre que si la gâchette du pistolet est enfoncée et il s'arrête quand elle est relâchée. (En cas de pause de plus de trois (3) minutes, relâchez la gâchette et mettez l'appareil hors tension.)

## UTILISATION DE LA BOUTEILLE DE SAVON :

- Versez le détergent dans la bouteille de savon. Fixez le connecteur de distribution fermement sur la bouteille.
- Raccordez correctement la bouteille de savon au pistolet de pulvérisation.
- Engagez la gâchette du pistolet, évacuez l'eau et raccordez le nettoyeur haute pression à l'alimentation électrique.
- Le détergent liquide sera tiré lentement dans le produit pulvérisé, mélangé avec l'eau. (Le produit pulvérisé reste généralement clair pendant la distribution du savon).
- Utilisez un chiffon pour frotter la surface après la pulvérisation du détergent.

• Après avoir frotté, rincez avec un lavage haute pression.

Une fois la tâche terminée, fermez le robinet d'eau et pressez la gâchette du pistolet pour dissiper la pression d'eau. Vous pouvez alors débrancher le tuyau d'arrosage de l'écrou d'entrée d'eau sur l'appareil.

**AVERTISSEMENT** : Lorsque vous laissez l'appareil sans surveillance, poussez fermement sur le bouton de verrouillage de la gâchette sur la poignée du pistolet afin de verrouiller la gâchette.

**AVERTISSEMENT** : Veillez à pointer le pistolet dans une direction sûre lors de la mise en marche du nettoyeur haute pression. Une blessure grave peut se produire si le nettoyeur haute pression est pointé vers le visage, les pieds, un animal ou une autre personne lors de son démarrage.

**AVERTISSEMENT** : Lisez le manuel d'utilisation avec attention avant d'utiliser le nettoyeur haute pression. Rangez toujours le nettoyeur dans un endroit où les températures ne seront pas inférieures à 0 °C. Les dégâts provoqués par le gel ne sont pas couverts par la garantie.

**AVERTISSEMENT** : Quand vous avez fini d'utiliser le nettoyeur haute pression, éteignez l'appareil et débranchez le cordon de la prise électrique.



# Instructions importantes de montage et d'utilisation

## Montage de l'appareil de base

Assurez-vous que toutes les pièces sont incluses : Voir le GUIDE DE DÉMARRAGE RAPIDE pour la liste des pièces

### 1. Installation des crochets



Glissez les crochets de suspension sur les deux côtés du nettoyeur haute pression. Les crochets peuvent tenir le tuyau haute pression et le cordon électrique lorsque l'appareil n'est pas utilisé.

## Instructions d'utilisation

### 1. Raccordement du tuyau haute pression

Raccordez le tuyau haute pression à la sortie d'eau située à l'arrière de l'appareil. Remarque : Une faible quantité d'huile légère et d'eau peut être présente dans la sortie de l'appareil. Ceci est normal.



### 2. Raccordement de la lance de pulvérisation au pistolet

Insérez la lance de pulvérisation dans la poignée du pistolet. Tournez d'un quart de tour pour s'assurer que la lance soit bien verrouillée en place.



### 3. Raccordement du tuyau à l'appareil

Fixez correctement le tuyau d'arrosage sur le raccord de l'entrée d'eau (situé à l'arrière de l'unité).

### 4. Ouverture de l'alimentation en eau

Raccordez le tuyau d'arrosage au robinet d'eau. Mise en garde : N'ouvrez pas l'eau tant que vous n'avez pas raccordé le tuyau d'arrosage à l'appareil.

### 5. Branchement à l'alimentation électrique

Branchez le disjoncteur de fuite de terre dans sa prise d'alimentation. Appuyez sur le bouton de réinitialisation : l'indicateur doit être sur « MARCHE » (ON). Appuyez sur le bouton de test : l'indicateur doit être sur « ARRÊT » (OFF). Appuyez sur le bouton de réinitialisation pour utiliser l'appareil. N'utilisez pas l'appareil



### 6. Purge de l'air emprisonné

Maintenez la gâchette enclenchée jusqu'à ce que l'eau s'écoule régulièrement. Ceci garantit que l'air est purgé pour obtenir une meilleure pression de fonctionnement.



### 7 Mise en marche du nettoyeur sous pression

Mettez le nettoyeur haute pression en marche. Pressez la gâchette pour mettre le moteur en marche. Le moteur ne démarre que si la gâchette du pistolet est enfoncée et il s'arrête quand elle est relâchée.



### Connexion de la bouteille de savon (en option)

Connectez la bouteille de savon directement à la poignée du pistolet.



## Questions / problèmes? NE RAMENEZ PAS L'APPAREIL AU MAGASIN

Veillez appeler notre service clientèle au 1-800-313-5111 entre 7 h 30 et 16 h 30, HNE, pour obtenir de l'aide.

# CONSEILS DE NETTOYAGE

## Détergent – Ce qu'il faut utiliser

- Nous conseillons d'utiliser un produit nettoyant conçu spécifiquement pour les nettoyeurs haute pression.
- N'utilisez jamais d'eau de Javel, d'ammoniaque ou d'eau chaude dans l'appareil.

## Conseils et recommandations généraux de nettoyage

- Rincez au préalable les surfaces à nettoyer avec de l'eau fraîche.
- Ne laissez jamais le détergent sécher sur la surface. S'il semble que du détergent sèche avant que vous ne soyez prêt à rincer, il suffit de mouiller la zone avec de l'eau fraîche.
- Avant de nettoyer toute surface, une zone cachée doit être nettoyée afin d'essayer le schéma de pulvérisation et la distance pour un nettoyage optimal.
- Si des surfaces peintes s'écaillent, faites très attention car le lavage sous pression peut enlever de la peinture de la surface.
- Lors du nettoyage de surfaces pouvant entrer en contact avec des aliments, rincez abondamment ces surfaces avec de l'eau potable.

## Nettoyage de terrasses en bois

Pour obtenir les meilleurs résultats possibles, limitez votre zone de travail à des sections plus petites d'environ 1,8-2,3 m<sup>2</sup> (20 à 25 pi ca). Rincez à haute pression dans un long mouvement de balayage en maintenant le bec de pulvérisation à environ 5,0-15,2 cm (2 à 6 po) de la surface nettoyée. Nettoyez toujours du haut vers le bas et de la gauche vers la droite. Lors du passage à une nouvelle section de la surface de nettoyage, veillez à chevaucher avec la section précédente pour éliminer les traces d'arrêt et pour assurer un nettoyage plus homogène.

## Façades d'une maison

Pour obtenir les meilleurs résultats possibles, limitez votre zone de travail à des sections d'une largeur d'environ 1,5 – 1,8 mètres (5 à 6 pi) et appliquez toujours le détergent du bas vers le haut. Rincez à haute pression du haut vers le bas dans un long mouvement de balayage régulier en maintenant le bec de pulvérisation à environ 15,2 cm (6 po) de la surface nettoyée.

## Terrasses en ciment, briques et pierre

Pour obtenir les meilleurs résultats possibles, limitez votre zone de travail à des sections plus petites d'environ 1,8-2,3 m<sup>2</sup> (20 à 25 pi ca). Lors de l'utilisation de détergent, permettez-lui de demeurer sur la surface pendant 1-3 minutes. Rincez à haute pression dans un mouvement de balayage en maintenant le bec de pulvérisation à environ 5,0-15,2 cm (2 à 6 po) de la surface nettoyée. Nettoyez toujours du haut vers le bas et de la gauche vers la droite.

## Voitures, motos et bateaux

Pour obtenir les meilleurs résultats possibles, nettoyez un seul côté du véhicule à la fois et appliquez toujours le détergent du bas vers le haut. Ne laissez pas le détergent sécher sur la surface. S'il le faut, utilisez la brosse spéciale de lavage pour éliminer les saletés récalcitrantes. Rincez à haute pression dans un mouvement de balayage en maintenant le bec de pulvérisation à environ 15,2-20,3 cm (6 à 8 po) de la surface nettoyée (augmentez la distance lors du rinçage des surfaces sensibles ou des rayures fines). Rincez toujours du haut vers le bas et de la gauche vers la droite. Pour les meilleurs résultats, essuyez la surface avec une peau de chamois ou un chiffon doux sec.

## Équipement électrique d'extérieur, outils de jardinage et barbecues

Laissez le détergent reposer sur la surface pendant 1-3 minutes. Rincez à haute pression en maintenant le bec de pulvérisation à environ 5,0-15,2 cm (2 à 6 po) de la surface nettoyée. Pour éliminer la saleté extrêmement récalcitrante, il peut être nécessaire de rapprocher le bec de pulvérisation vers la surface pour mieux attaquer la saleté.

## Outils pour la pelouse

S'il le faut, utilisez la brosse spéciale de lavage pour éliminer les saletés récalcitrantes. Rincez à haute pression dans un mouvement de balayage en maintenant le bec de pulvérisation à environ 7,6-15,2 cm (3 à 6 po) de la surface nettoyée. Pour de meilleurs résultats, nettoyez toujours du haut vers le bas et de la gauche vers la droite. À l'aide du pistolet, faites couler de l'eau à travers le distributeur de savon pour le vider.

# MAINTENANCE

Si le nettoyeur tombe, vérifiez avec soin qu'il n'est pas endommagé. Si vous détectez un problème pouvant affecter le fonctionnement du nettoyeur, contactez votre centre de réparation agréé local le faire réparer avant de le réutiliser.



**MISE EN GARDE :** Ne laissez jamais de liquide de frein, d'essence, de produits à base de pétrole, d'huiles pénétrantes etc. entrer en contact avec les pièces en plastique. Ces substances contiennent des produits chimiques pouvant endommager, affaiblir ou détruire le plastique.

Les engrais et autres produits chimiques de jardinage contiennent des agents qui accélèrent fortement la corrosion des métaux. ne rangez pas l'outil sur ou à côté d'engrais ou de produits chimiques.

Si le bec de pulvérisation se bouche, il provoquera une augmentation de la pression de la pompe et éventuellement une déformation du schéma de pulvérisation. Nettoyez immédiatement le bec si cela se produit.

Retirez le bec de la lance de pulvérisation. Nettoyez le bec avec la broche de nettoyage.

Rincez le bec à l'eau.

Remettez le bec en place sur la lance de pulvérisation

Si le bec est toujours bouché, répétez les étapes ci-dessus.



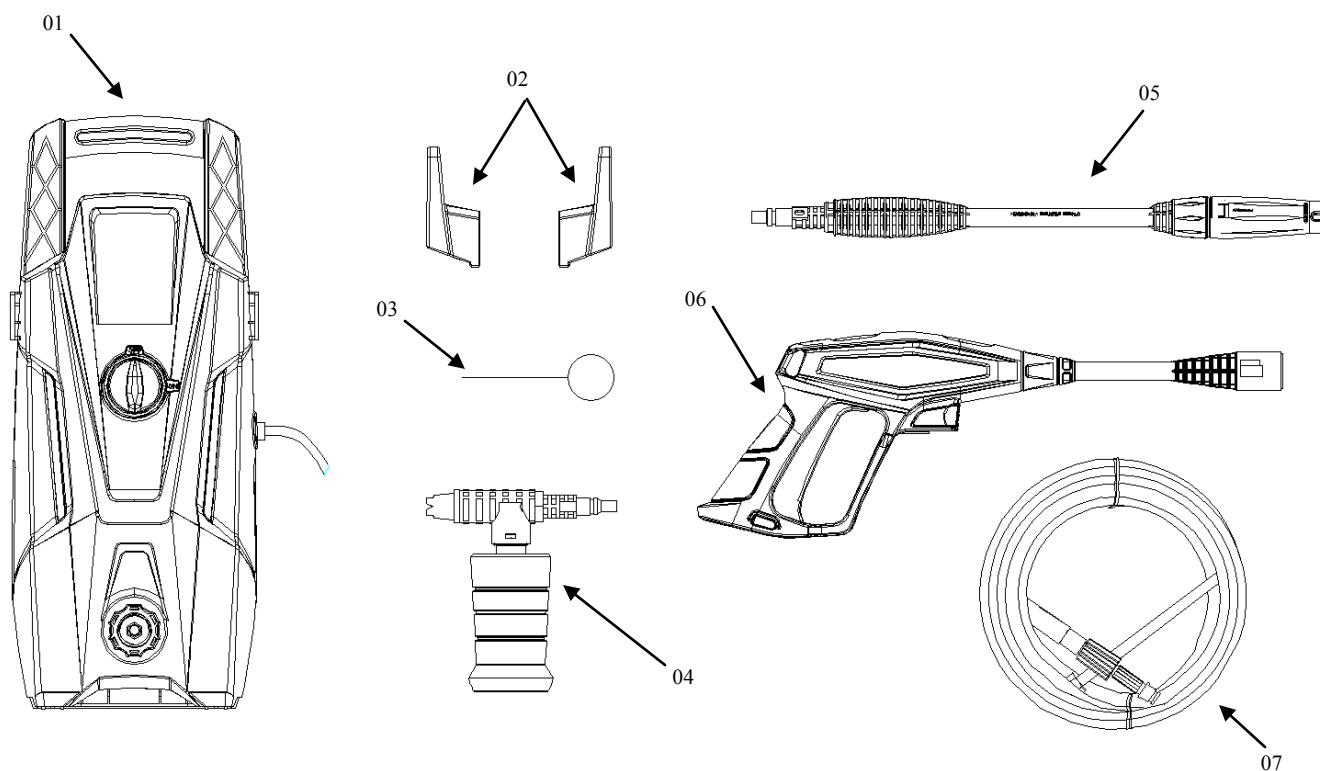
**AVERTISSEMENT :** N'utilisez la broche de nettoyage que si le bec est déconnecté de la lance de pulvérisation. Le non-respect de cette consigne peut entraîner des blessures graves.



**IMPORTANT :** Pour garantir la SÉCURITÉ et la FIABILITÉ du produit, les réparations, la maintenance et le réglage doivent être effectués par une personne qualifiée qui utilise toujours des pièces de rechange identiques.

## APPELEZ-NOUS D'ABORD!!

Appelez-nous d'abord pour toute question concernant le fonctionnement ou la maintenance de votre nettoyeur haute pression au 1-800-313-5111 entre 7 h 30 et 16 h 30, HNE, ou envoyez vos courriels à [earthwise@reelin.com](mailto:earthwise@reelin.com).



## LISTE DES PIÈCES

Clé n°	Description
01	Assemblage du bâti principal
02	Crochets de suspension
03	Broche de nettoyage du bec
04	Bouteille de savon
05	Lance de pulvérisation
06	Poignée du pistolet
07	Assemblage du tuyau haute pression

## DÉPANNAGE

Problème	Cause possible	Solution possible
Le moteur ne démarre pas	<ul style="list-style-type: none"> <li>- L'interrupteur est en position d'arrêt</li> <li>- Le cordon électrique n'est pas branché</li> <li>- La prise électrique ne fournit pas la tension adéquate</li> <li>- La gâchette du pistolet n'est pas enclenchée</li> <li>- Fiche du disjoncteur de fuite de terre non réinitialisée</li> </ul>	<ul style="list-style-type: none"> <li>- Allumez l'interrupteur</li> <li>- Branchez le cordon électrique</li> <li>- Essayez une autre prise murale</li> <li>- Enclenchez la gâchette du pistolet</li> <li>- Appuyez sur le bouton de réinitialisation sur la fiche du disjoncteur de fuite de terre</li> </ul>
Le moteur s'arrête soudainement	<ul style="list-style-type: none"> <li>- Le commutateur de sécurité thermique s'est déclenché à cause d'une surchauffe</li> </ul>	<ul style="list-style-type: none"> <li>- Vérifiez que la tension principale correspond aux spécifications</li> </ul>
L'appareil n'atteint pas une pression élevée	<ul style="list-style-type: none"> <li>- Le filtre de l'entrée d'eau est bouché</li> <li>- Manque d'alimentation dans l'entrée d'eau</li> <li>- L'alimentation d'eau est restreinte</li> <li>- La pompe aspire de l'air des raccords ou des tuyaux</li> </ul>	<ul style="list-style-type: none"> <li>- Nettoyez le filtre de l'entrée d'eau</li> <li>- Ouvrez complètement la source d'eau</li> <li>- Vérifiez que le tuyau d'arrosage ne soit pas plié.</li> <li>- Vérifiez que tous les raccords d'alimentation soient étanches</li> </ul>
La pression de sortie varie	<ul style="list-style-type: none"> <li>- La pompe aspire de l'air</li> <li>- Le filtre de l'entrée d'eau est bouché</li> <li>- Manque d'alimentation dans l'entrée d'eau</li> </ul>	<ul style="list-style-type: none"> <li>- Vérifiez que les tuyaux et les raccords soient étanches. Éteignez l'appareil et la pompe d'évacuation à l'aide du pistolet jusqu'à l'obtention d'un écoulement stable de l'eau.</li> <li>- Nettoyez le filtre de l'entrée d'eau</li> <li>- Ouvrez complètement la source d'eau</li> </ul>
Le détergent n'est pas distribué	<ul style="list-style-type: none"> <li>- Le bec est bouché par des débris</li> </ul>	<ul style="list-style-type: none"> <li>- Retirez le bec pour le savon et nettoyez-le avec la broche de nettoyage.</li> </ul>
Pression faible	<ul style="list-style-type: none"> <li>- Le robinet n'est pas ouvert à fond ou l'appareil ne reçoit pas un volume complet d'eau.</li> </ul>	<ul style="list-style-type: none"> <li>- Ouvrez le robinet à fond</li> <li>- Vérifiez que le tuyau d'arrosage ne soit pas plié.</li> <li>- Nettoyez le filtre d'entrée</li> </ul>
L'appareil ne s'arrête pas quand la gâchette est relâchée	<ul style="list-style-type: none"> <li>- Le pistolet ne fonctionne pas correctement</li> </ul>	<ul style="list-style-type: none"> <li>- Débranchez l'appareil de la source d'alimentation</li> <li>- Appelez le service clientèle au 1-800-313-5111 pour obtenir de l'aide</li> </ul>

# GARANTIE

## GARANTIE LIMITÉE POUR LES NETTOYEURS HAUTE PRESSION

Ce produit est fabriqué pour la société The Great States Corporation/American Lawn Mower Company. La société The Great States Corporation/American Lawn Mower Company, Shelbyville, Indiana, États-Unis, fabrique des tondeuses à gazon depuis plus de 100 ans et garantit au premier propriétaire que chaque produit neuf et ses pièces de rechange sont exempts de défauts de matériau et de fabrication et consent à réparer ou remplacer, dans le cadre de cette garantie, tout produit ou pièce défectueux pendant un (1) ans à partir de la date d'achat d'origine, sauf dans les conditions et circonstances indiquées ci-dessous. Une preuve d'achat (original du reçu de vente daté) doit accompagner toute réclamation de garantie.

### CETTE GARANTIE N'EST PAS TRANSFÉRABLE ET NE COUVRE PAS :

Les produits vendus endommagés ou incomplets, vendus « tels quels », vendus remis en état ou utilisés comme équipements de location.

La livraison, l'installation et les réglages normaux expliqués dans le manuel de l'utilisateur.

Les dommages ou responsabilités provoqués par le transport, une mauvaise manipulation, une mauvaise installation, une tension ou un câblage incorrect, une mauvaise maintenance, une modification incorrecte ou l'utilisation d'accessoires ou d'outils non spécifiquement recommandés.

Les réparations nécessaires à cause d'un mauvais usage ou d'une négligence de l'opérateur, ou du manquement à l'installation, l'utilisation, la maintenance ou le stockage du produit conformément aux instructions figurant dans le manuel de l'utilisateur.

Les dommages causés par le froid, la chaleur, la pluie, une humidité excessive, des environnements et matériaux corrosifs ou d'autres contaminants.

Les pièces consommables qui s'usent lors d'une utilisation normale.

Les défauts esthétiques qui n'interfèrent pas avec la fonctionnalité de l'outil.

Les frais de transport du client au vendeur.

Les frais de réparation et de transport des produits ou pièces qui se sont avérés ne pas être défectueux.

TOUT DOMMAGE, PERTE OU FRAIS CONSÉCUTIF, INDIRECT OU CONSÉQUENT QUI POURRAIT RÉSULTER D'UN DÉFAUT, D'UNE DÉFAILLANCE OU D'UN DYSFONCTIONNEMENT DU PRODUIT. Certains États ne permettent pas l'exclusion ou la limitation de la durée d'une garantie implicite, les restrictions ci-dessus peuvent donc ne pas s'appliquer.

UNE UTILISATION NON RÉSIDENIELLE OU UNE UTILISATION COMMERCIALE ANNULE TOUTES LES GARANTIES.



The Great States Corporation  
American Lawn Mower Company  
830 Webster Street  
Shelbyville, IN 46176 États-Unis  
Téléphone 1-800-313-5111  
[www.americanlawnmower.com](http://www.americanlawnmower.com)

Dans le cadre d'un engagement permanent d'amélioration de la qualité, le fabricant se réserve le droit de modifier des pièces ou la conception de ce produit.